

# INSTRUCTION MANUAL

## AR-HD2

**Air Hose Reel - Retractable  
15 Metre x Ø10mm ID Hose**



**H038**

# **AUTO REWIND AIR/WATER HOSE REEL ASSEMBLY AND OPERATING INSTRUCTIONS**



**TO PREVENT SERIOUS INJURY,  
READ AND UNDERSTAND ALL WARNINGS  
AND INSTRUCTIONS BEFORE USE.**

## Save This Manual

You will need the manual for the safety warnings and precautions, assembly instructions, operating and maintenance procedures, parts list and diagram. Keep your invoice with this manual. Write the invoice number on the inside of the front cover. Keep the manual and invoice in a safe and dry place for future reference.

## Safety Warnings and Precautions

**WARNING: When using tool, basic safety precautions should always be followed to reduce the risk of personal injury and damage to equipment.**

**Read all instructions before using this product!**

1. **Avoid working alone.** If an accident happens, an assistant can bring help.
2. **Avoid electrical shock.** Use extreme caution when clamping around uninsulated conductors or bus bars. Prevent body contact with grounded surfaces such as pipes, radiators, ranges, and cabinet enclosures.
3. **Keep work area clean.** Cluttered areas invite injuries.
4. **Observe work area conditions.** Don't expose to rain. Keep work area well lighted.
5. **Keep children away.** Children must never be allowed in the work area. Do not let them handle machines, tools, extension cords, or air hoses.
6. **Store idle equipment.** When not in use, tools must be stored in a dry location to inhibit rust. Always lock up tools and keep out of reach of children.
7. **Dress properly.** Do not wear loose clothing or jewelry as they can be caught in moving parts. Protective, electrically nonconductive clothes and nonskid footwear are recommended when working. Wear restrictive hair covering to contain long hair.
8. **Use eye and ear protection.** Always wear ANSI approved Impact safety goggles.
9. **Do not overreach.** Keep proper footing and balance at all times. Do not reach over or across air hoses.
10. **Maintain tools with care.** Inspect hose periodically and, if damaged, have it repaired by an authorized technician.
11. **Use the right tool for the job.** Do not attempt to force a small tool or attachment to do the work of a larger industrial tool. There are certain

applications for which this tool was designed. Do not modify this tool and do not use this tool for a purpose for which it was not intended.

12. **Stay alert.** Watch what you are doing, use common sense. Do not operate any tool when you are tired.
13. **Check for damaged parts.** Before using any tool, any part that appears damaged should be carefully checked to determine that it will operate properly and perform its intended function. Check for alignment and binding of moving parts; any broken parts or mounting fixtures; and any other condition that may affect proper operation. Any part that is damaged should be properly repaired or replaced by a qualified technician.
14. **Replacement parts and accessories.** When servicing, use only identical replacement parts. Use of any other parts will void the warranty. Only use accessories intended for use with this tool. Approved accessories are available from Harbor Freight Tools.
15. **Do not operate tool if under the influence of alcohol or drugs.** Read warning labels on prescriptions to determine if your judgment or reflexes are impaired while taking drugs. If there is any doubt, do not operate the tool.
16. **Use proper size and type extension cord.** If an extension cord is required, it must be of the proper size and type to supply the correct current to the tool without heating up. Check your compressor manual for extension cord information.
17. **Maintenance.** For your safety, maintenance should be performed regularly by a qualified technician.

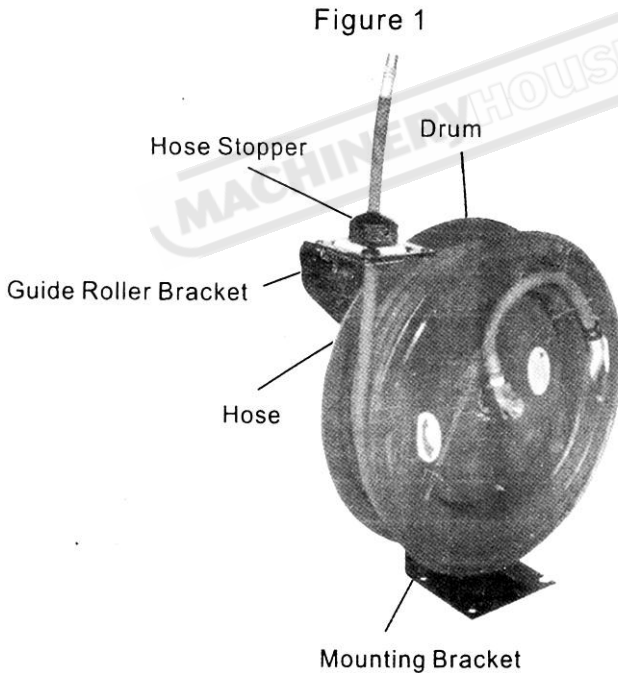
**Warning:** The warnings, cautions, and instructions discussed in this instruction manual cannot cover all possible conditions and situations that may occur. It must be understood by the operator that common sense and caution are factors which cannot be built into this product, but must be supplied by the operator.

## Installation of Reel

(Mounting hardware not included)

The template below is not to scale. Make a template of your own modeling this one, using the measurements listed inside.

1. Make a paper template modeled after the one above.
2. The Reel may be installed on the wall, floor, or ceiling (at least ten feet above the floor).
3. Remove the bolts that attach the guide roller bracket to the support post to re-position the bracket for the appropriate location. Replace bolts and tighten.
4. Drill holes to accommodate 1/2 inch bolts (not included). Make sure you are drilling into a solid backing, or use the appropriate hardware to anchor in the bolts.
5. Mount reel and secure the four bolts (not included) through the 1/2" holes in the bracket. See Figure 1.



## Operation

### See Figure 1

#### Adjustment of Spring Tension

1. Pull out six feet of hose.
2. Remove the hose stopper from the hose and feed it back through the guide.
3. To increase tension, wrap the pulled hose one time around the drum.
4. To decrease tension, un-wrap the hose one time from the drum.
5. Run the hose back through the guide and re-attach the hose stopper.
6. Unlatch the hose and check the tension. Adjust the stopper position if necessary.

#### Use

1. Check wheel operation by slowly pulling the hose out. You should hear a clicking noise.
2. To lock the hose, pull it out a minimum of 1/2 revolution and it will stay locked after the first, second, or third click.
3. To unlock, slowly pull until the clicking stops, and let it retract until the hose stopper hits the hose guide.
4. Attach a coupler (not included) to your air compressor hose and apply teflon tape to the outlet fitting on the reel. Connect the coupler (not included) to the outlet fitting.
5. Attach a coupler (not included) onto the end of the hose. and connect to your air tool.

#### Replacement of Hose

1. Pull out the old hose and securely lock Hose Reel.
2. Disassemble the **Rubber Bumper Block (#63)** by removing the **Bolts (#61)** and the **Nuts (#64)**.
3. Disconnect the old hose from the swivel joint and remove the hose.
4. Run the **Hose (#2)** through the **Rubber Bumper Block (#63)** . and through the opening in the drum flange.
5. Use teflon tape on the hose fitting threads and screw the fitting onto the swivel and tighten. Re-assemble the **Rubber Bumper Block (#63)** with the **Bolts (#61)** and the **Nuts (#64)**.
6. Attach hose stopper on the end of the hose near the outlet fitting.
7. Carefully release drum latch and allow the **Hose (#2)** to wind onto the reel. Try to evenly distribute the **Hose (#2)** across the reel.

NOTE: Some parts are listed and shown for illustration purposes only and are not available individually as replacement parts.

### Maintenance

1. Wipe Hose Reel clean with a dry cloth.
2. Check the hose for frays and tears.
3. If the locking mechanism fails, have it repaired or replaced by an authorized service technician.

### TROUBLE SHOOTING GUIDE

TROUBLE	CAUSE	REMEDY
HOSE WILL NOT FULLY RETRACT	a) Outlet nozzle, gun or tool is too heavy. b) Spring is fatigued. c) Field installed hose is too long.	a) Add spring tension. See "Spring Tension Adjustment". b) Add spring tension. ee " Spring Tension Adjustment". Replace Spring Canister if required. c) Call local Distributor for correct specified hose length.
HOSE WILL NOT RETRACT AT ALL	Spring has lost all tension or has possibly broken.	a) Reinstall Spring Tension b) Replace Spring Canister. See "Spring Canisten Replacement".
REEL WILL NOT LATCH	a) Incorrect operation. b) Dog spring or locking cam is broken or worn.	a) Reel latches on first, second, third on fourth "click", After forth "click" it automatically rewinds. b) Replace dog spring or locking cam.
FLUID LEAKS FROM SWIVEL	Swivel seals are damaged or worn.	Replace swivel seals. See "Swivel Seal Replacement" Caution: Be sure leak is not at Hose Fitting!
HOSE LOCKS UP WHEN FULLY EXTENDED	Hose clamp is in the incorrect position.	Relocate hose clamp to optional location.

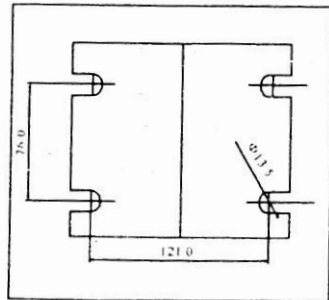
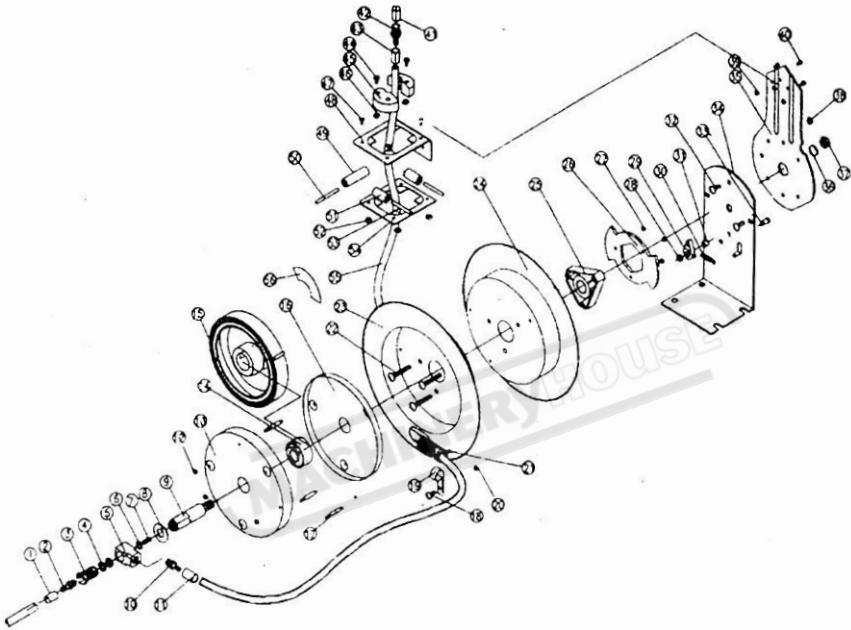
## Parts List

Part No.	Description	Qty.	Part No.	Description	Qty.
1	Copper Hose Fastener	1	29	Locking Cam	1
2	Thread	1	30	Spring	1
3	Valve Core	1	31	Cover	2
4	O-ring	2	32	Screw	4
5	Valve	1	33	Jam Nut	1
6	Wash D=20	1	34	Base	1
7	Bolt M <sub>10</sub> x30	1	35	Support Arm	1
8	Washer	1	36	Washer	1
9	Axle	1	37	Nut	1
10	Thread	1	38	Nut	4
11	Copper Hose Fastener	1	39	Nut	3
12	Nut	1	40	Screw	3
13	Spring Cover	1	41	Thread Rubber Cover	1
14	Spring Core	1	42	Thread	1
15	Spring	1	43	Copper Hose Fastener	1
16	Spring Cover	1	44	Bolt	1
17	Bolt	3	45	Hose Stopper	1
18	Bolt	2	46	Nut	4
19	Hose Fixity	1	47	Screw	4
20	Nut	6	48	Guide Plate	1
21	Hose Spring Protector	1	49	Guide Roller (Long)	2
22	Bolt	3	50	Guide Roller Axle (Long)	2
23	Drum	1	51	Guide Roller (Short)	2
24	Drum	1	52	Nut	4
25	Hub Bearing Assem	1	53	Guide Roller Axle (Short)	2
26	Ratchet Wheel	1	54	Guide Sub-Plate	2
27	Nut	3	55	Hose	1
28	Locking Nut	1	56	Label	3



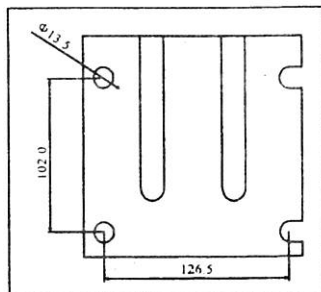
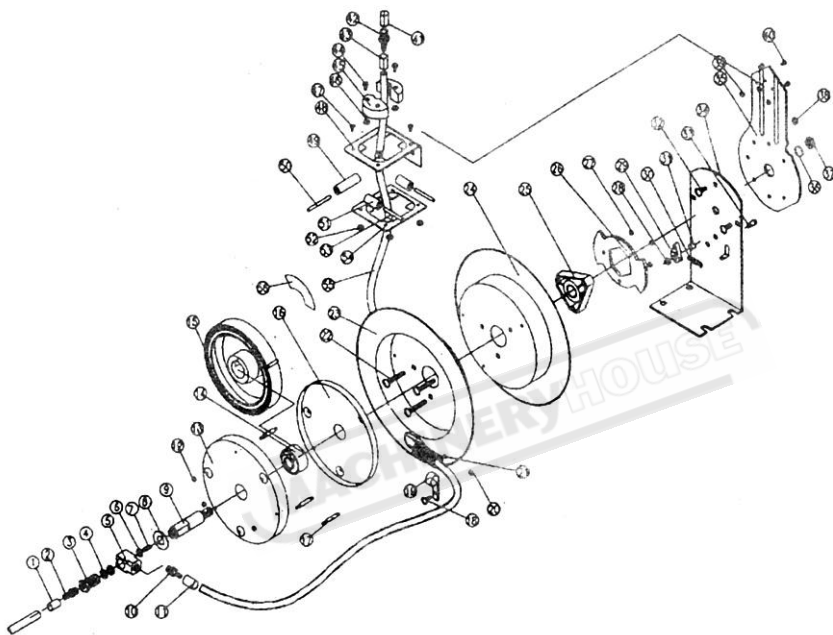
# Assembly Drawing

3/8"ID, 25FT~30FT



# Assembly Drawing

3/8"ID, 50FT
1/2"ID, 33FT



# Assembly Drawing

3/8"ID, 65~100FT
1/2"ID, 50FT~65FT

